

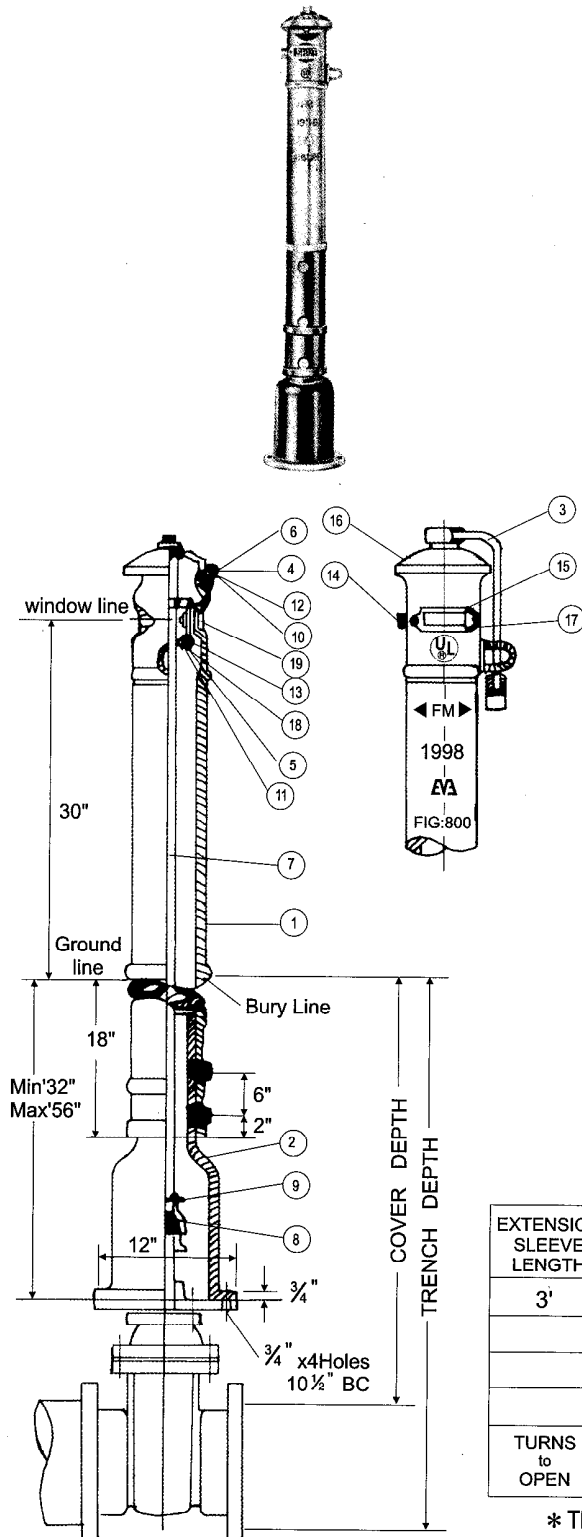


ADJUSTABLE TYPE INDICATOR POST

UL/FM

FIRE PROTECTION PRODUCTS

Fig No.800 Adjustable Type Indicator Post. Vertical type enables underground fire line valve to be operated at ground level with operating wrench.



PARTS LIST

Item	Part Name	Material	Specification
1	BODY	CAST IRON	ASTM A126-B
2	EXTENSION SLEEVE	CAST IRON	ASTM A126-B
3	OPERATING-WRENCH	DUCTILE IRON	ASTM A-536
4	OPERATING STEM	CAST BRONZE	ASTM B-62
5	TARGET FRAME	CAST BRONZE	ASTM B-62
6	RETAINING RING	STEEL	SAE 1065-1090
7	EXTENSION ROD	MILD STEEL	ASTM A105-80
8	SOCKET	CAST IRON	ASTM A126-B
9	COTTER PIN	BRASS	ASTM B-16
10	NUT	STEEL	ASTM A307-B
11	SQUARE HEAD NUT	STEEL	ASTM A307-B
12	HEXAGON HEAD BOLT	STEEL	ASTM A307-B
13	ROUND HEAD BOLT	STEEL	ASTM A307-B
14	PLUG	STEEL	ASTM A307-B
15	SIGN PLATE OPEN SHUT	ALUMINIUM	
16	CAP	CAST IRON	ASTM A126-B
17	WINDOW FRAME	CAST BRONZE	ASTM B-62
18	FIXED PLATE	ALUMINIUM	
19	WINDOW GLASS	PLEXIGLASS	

DIMENSION

EXTENSION SLEEVE LENGTH	Lbs. WGT	TRENCH DEPTH					EXTENSION ROD LENGTH
		4" VALVE	6" VALVE	8" VALVE	10" VALVE	12" VALVE	
3'	252	3'-8" to 5'-8"	4'-1" to 6'-1"	4'-5" to 6'-5"	4'-9.5" to 6'-9.5"	5'-2" to 7'-2"	*6'
TURNS to OPEN		10½	12½	16½	20½	24½	

* The standard length of extension rod to be supplied is 6 feet. If the max. trench depth is required, please specify the extension rod to be 7 feet on order.